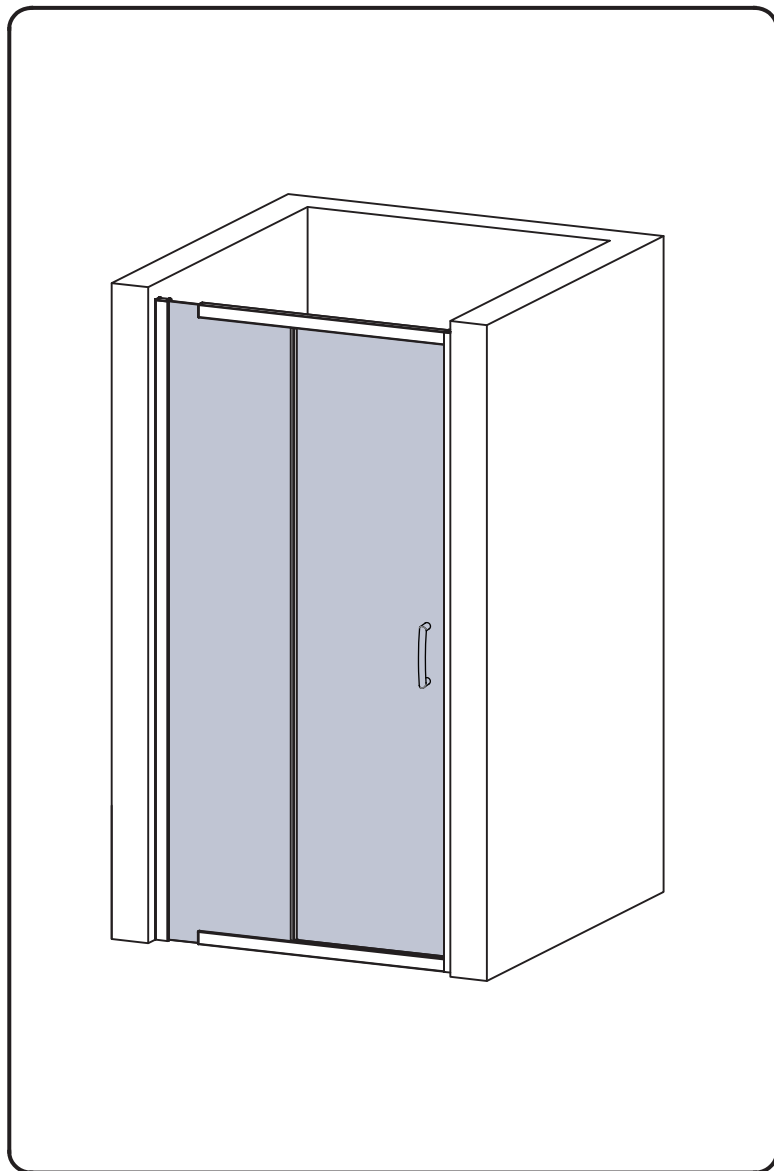


Please read through the complete instruction leaflet before commencing any installation work!



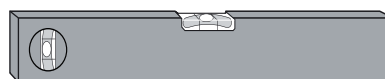
Tools Required



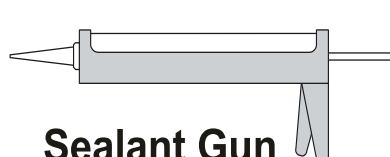
Drill



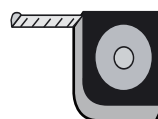
6mm Masonry Drill
2.75mm HSS Drill



Spirit level



Sealant Gun



Tape Measure



Pencil



PH2 TYPE
Screwdriver

Please note hand tools **NOT** supplied.

IMPORTANT

This product should be installed by a suitably qualified and proficient person. The fitting instructions should be followed carefully to ensure a proper and safe installation. Failure to follow these instructions could result in future injury.

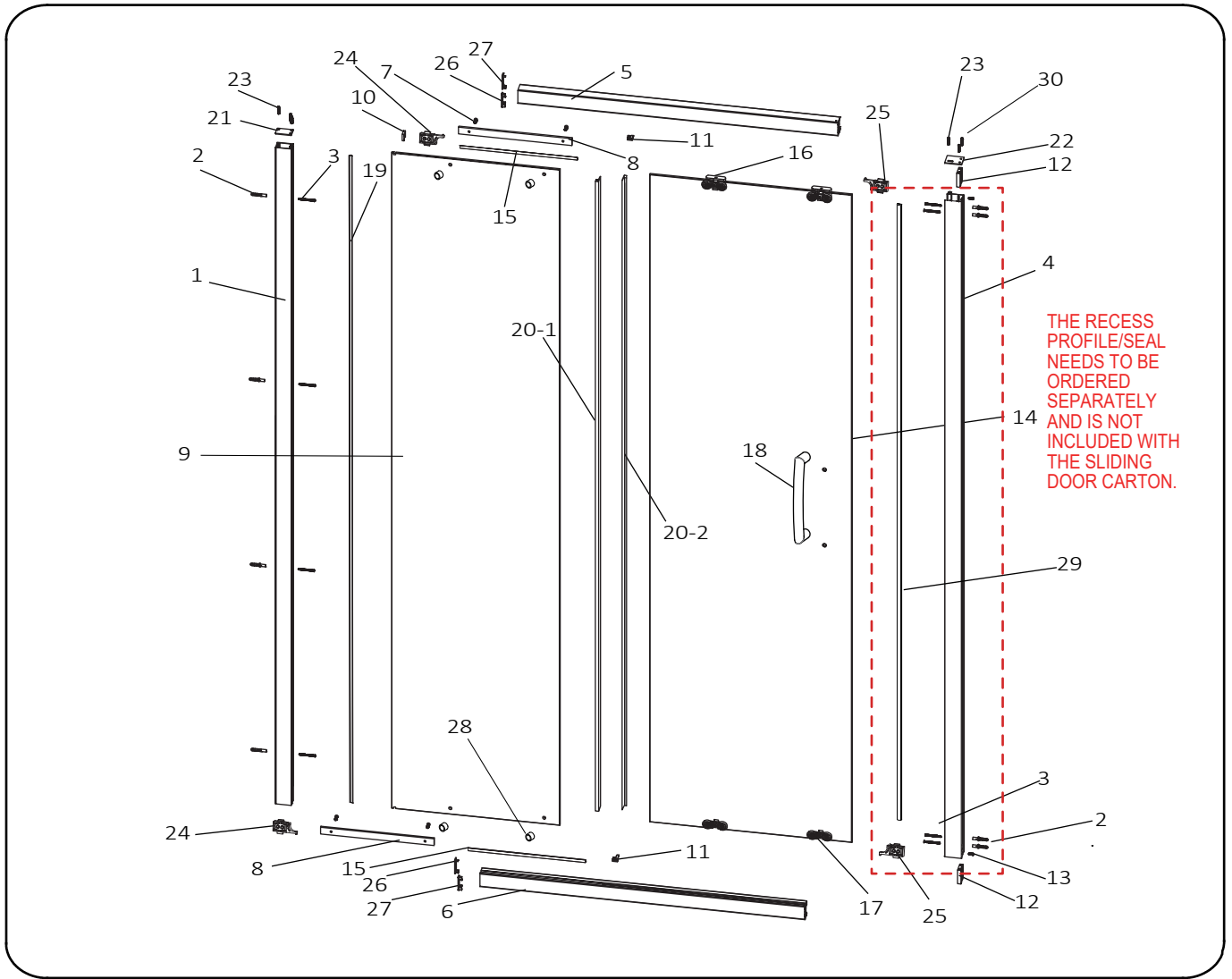
These instructions and list of parts assume that installation is done against solid/tiled walls.

Please check this product for damage prior to starting the installation. No claims can be made after the product has been fitted.

PLEASE NOTE :The minimum and maximum adjustment sizes noted on the product brochures are based on perfectly plumb walls and trays.

USE SAFETY EYE-WEAR WHEN DRILLING

COMPONENTS AND BOX CONTENTS

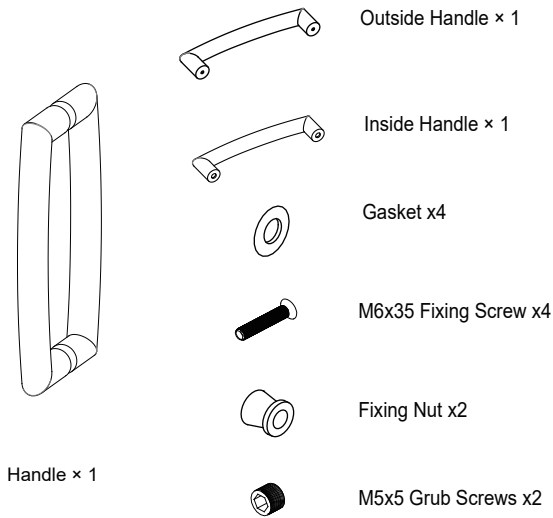


Box Contents

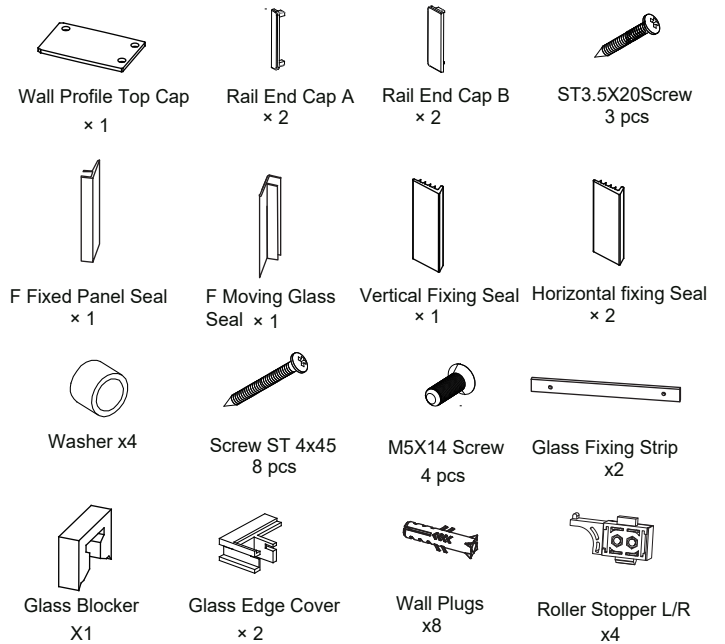
SN	Description	Image	Q'ty	SN	Description	Image	Q'ty	SN	Description	Image	Q'ty
1	Wall Profile		1	12	Top Cap Fixings		2	22	Closing Profile Top Cap		1
2	Wall Plug		8	13	Screw M4X10		2	23	ST3.5X20 Screw		6
3	ST Screws 4x45		8	14	Moving Glass		1	24	Roller Stopper L		2
4	Closing Profile		1	15	Horizontal Fixing Seal		2	25	Roller Stopper R		2
5	Top Rail		1	16	Top Roller		2	26	Rail End Cap A		2
6	Bottom Rail		1	17	Bottom Roller		2	27	Rail End Cap B		2
7	M5X14 Screw		4	18	Handle		1	28	Washers		4
8	Glass Fixing Strip		2	19	Vertical Fixing Seal		1	29	Closing Bubble Seal		1
9	Fixed Glass		1	20-1	F Fixed Panel Seal		1	30	Screw M4 x10		2
10	Glass Blocker		1	20-2	F Moving Glass Seal		1				
11	Glass Edge Cover		2	21	Wall Profile Top Cap		1				

FIXING KIT COMPONENTS, SITE CONDITIONS

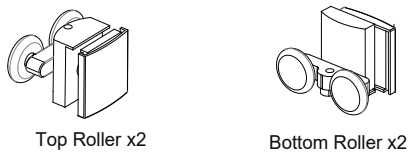
Dilusso 8 Handle



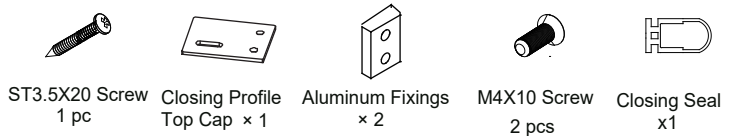
Dilusso 8 Slider Recess Fixing Kit



Dilusso 8 Roller



Closing Profile Fixing Kit



IMPORTANT - Missing Components

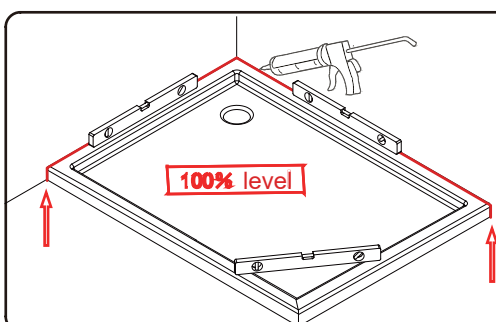
Please check this product for missing components prior to installation.

For spare parts visit www.formulabathrooms.co.uk

IMPORTANT - Installation site

1. Ensure the top surface of the shower tray on which the enclosure will be installed is level in every direction.
2. The tiles or other wall finishings should be effectively sealed at tray edges.
3. Tiles should extend at least to the corner of the tray and a minimum of 1.9 meters from the top of the tray.

PROCEDURE



TRAY MUST BE 100% LEVEL IN ALL DIRECTIONS

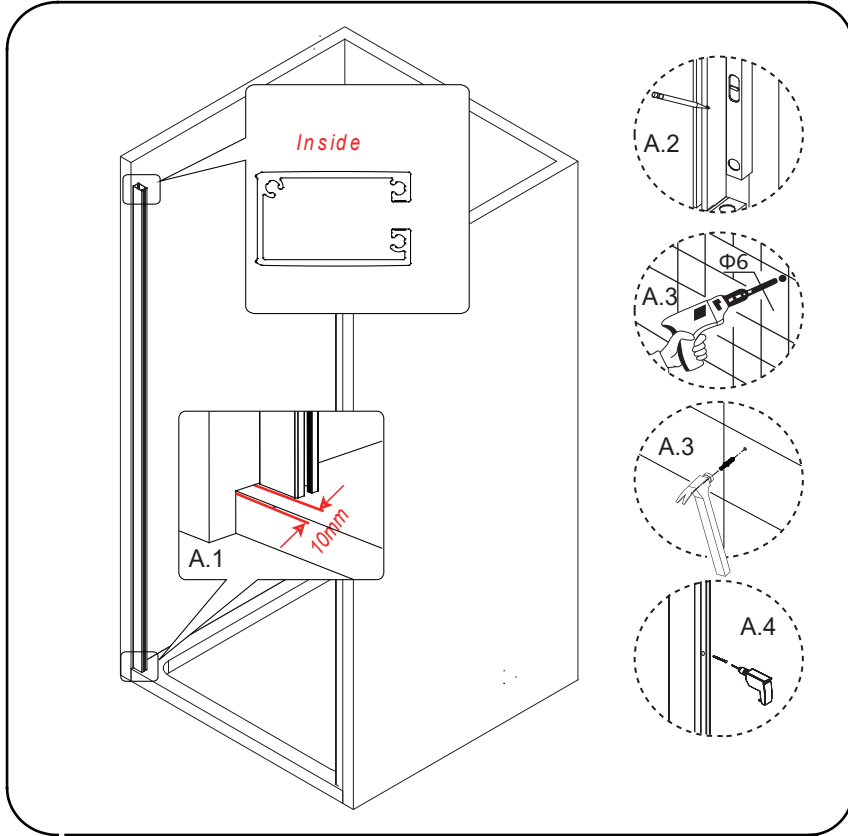
Ensure the shower tray is level in all directions and is properly sealed to the wall. The wall must be tiled down to the top edge of the tray. **Do not angle out bottom tile.**

TRAY MUST BE SEALED FULLY AROUND WHERE THE TRAY MEETS THE WALL.

DILUSSO RECESS SLIDING DOOR

INSTALLATION INSTRUCTIONS

Note: The product can be constructed either way up, for left or right hand opening. This instruction is showing a LEFT hand opening.



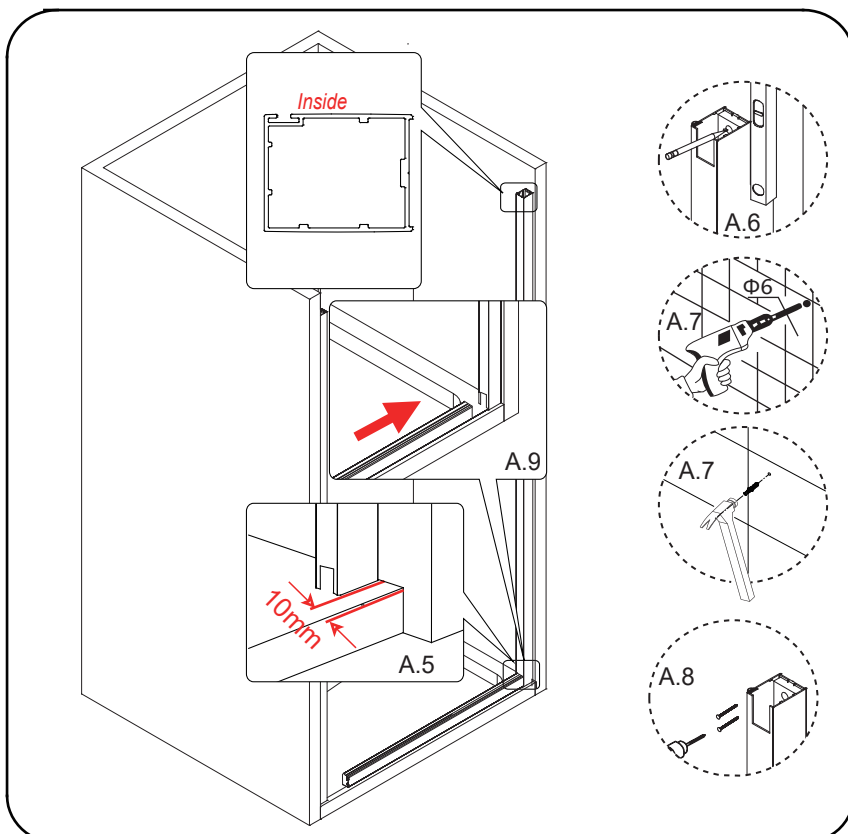
Step 1.1 Place the wall profile to the wall (roughly 10mm away from the front edge of the tray. (Diagram A.1).

Step 1.2 Level the profile using a spirit level. Once you are happy that the profiles sits on the tray correctly, mark the wall through the 4 pre-drilled holes in the wall profiles (no.1) (Diagram A.2)

Note: You may find it easier to mark and drill the wall if you apply masking tape to it first.

Step 1.3 Remove the wall profile and drill the marked points using a 6mm masonry drill bit. Once this is done, insert wall plugs (no.2) (Diagram A.3)

Step 1.4 Fix the wall profiles (no.1) to the wall using the screws ST4X45 (no.3) (Diagram A.4).



Step 2.1 Place the closing profile (no.4) onto the wall (roughly 10mm away from the front of the tray. (Diagram A.5).

Step 2.2 Level the profile using a spirit level. Once you are happy that the profile sits on the tray correctly, mark the wall through the 4 holes at the top and bottom of the profile through the top cap fixing. (Diagram A.6).

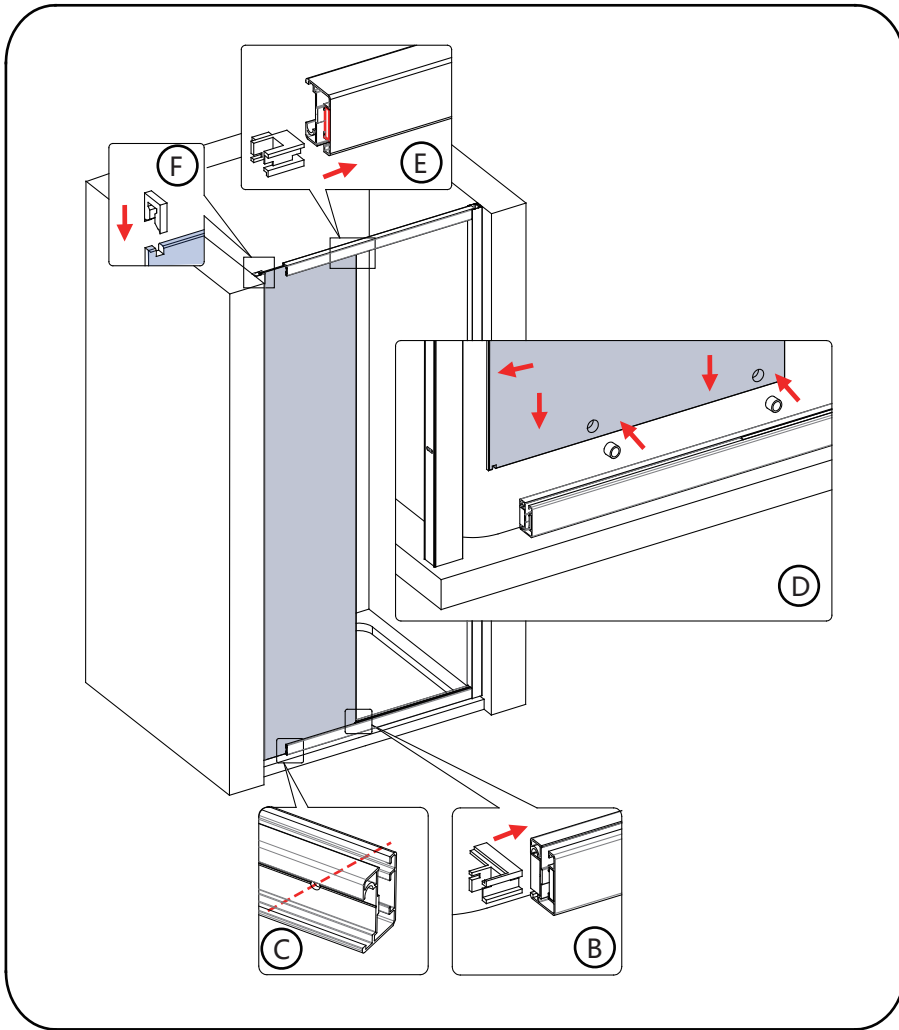
Note: You may find it easier to mark and drill the wall if you apply masking tape to it first.

Step 2.3 Remove the profile and drill the marked points using a 6mm masonry drill bit. Once this is done, insert the wall plugs (no.2) (Diagram A.7)

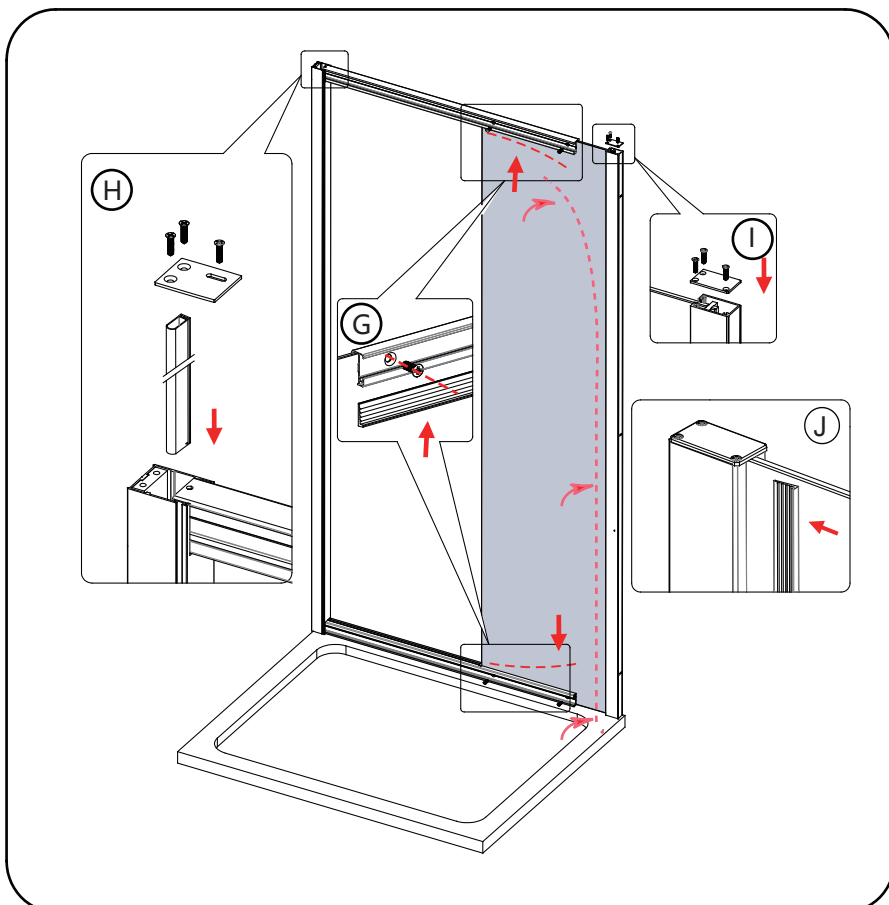
Step 2.4 Fix the closing profile to the wall using the screws ST4x45 (no.3) (Diagram A.8).

Step 2.5 Insert the bottom rail into the closing profile approximately 12mm. (Diagram A.9).

INSTALLATION INSTRUCTIONS

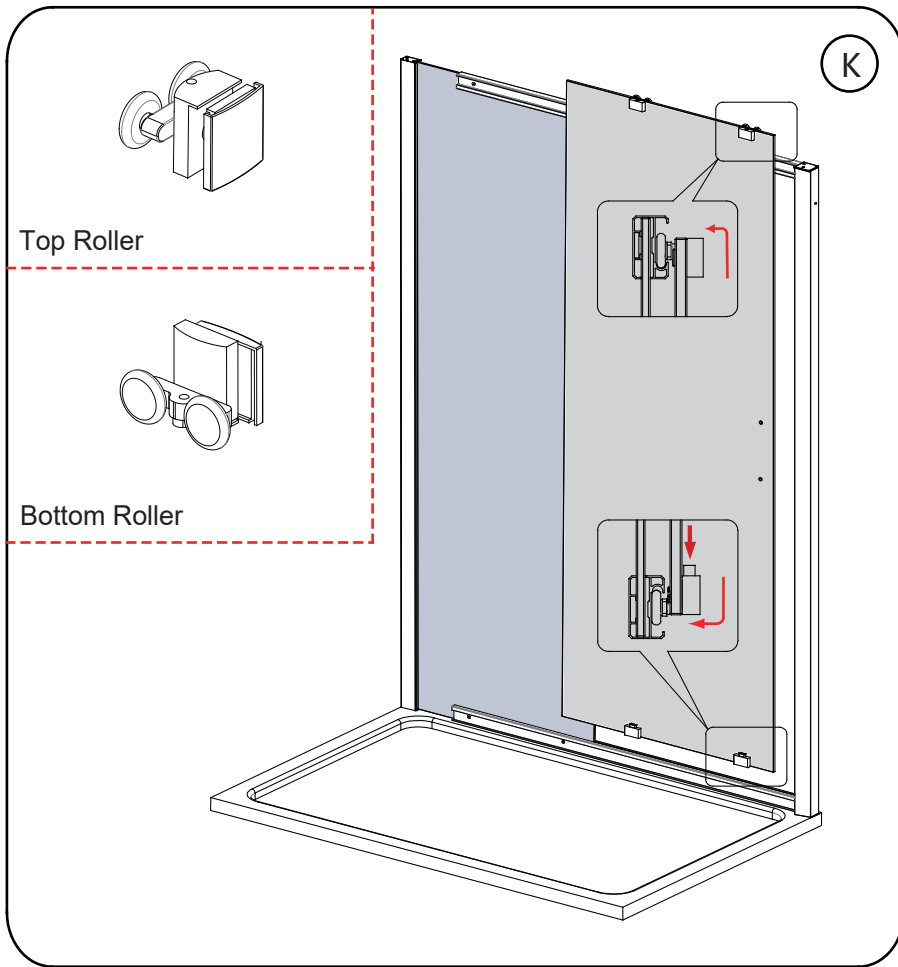


- Step 3.1 Fit the glass edge cover (no.11) onto the bottom rail (Diagram B). Ensure the screw holes on the fixing strip line up the holes on the rail profile (Diagram C). Insert the washers (no.28) into the glass holes at the bottom of the fixed panel, then carefully lift the fixed panel insert it into the bottom rail and wall profile.(Diagram D)
- Step 3.2 Follow the same steps as above to fit the top rail.(Diagram E).
- Step 3.3 Fit the glass blocker (no.10) onto the notch at the top of the fixed panel. (Diagram F).

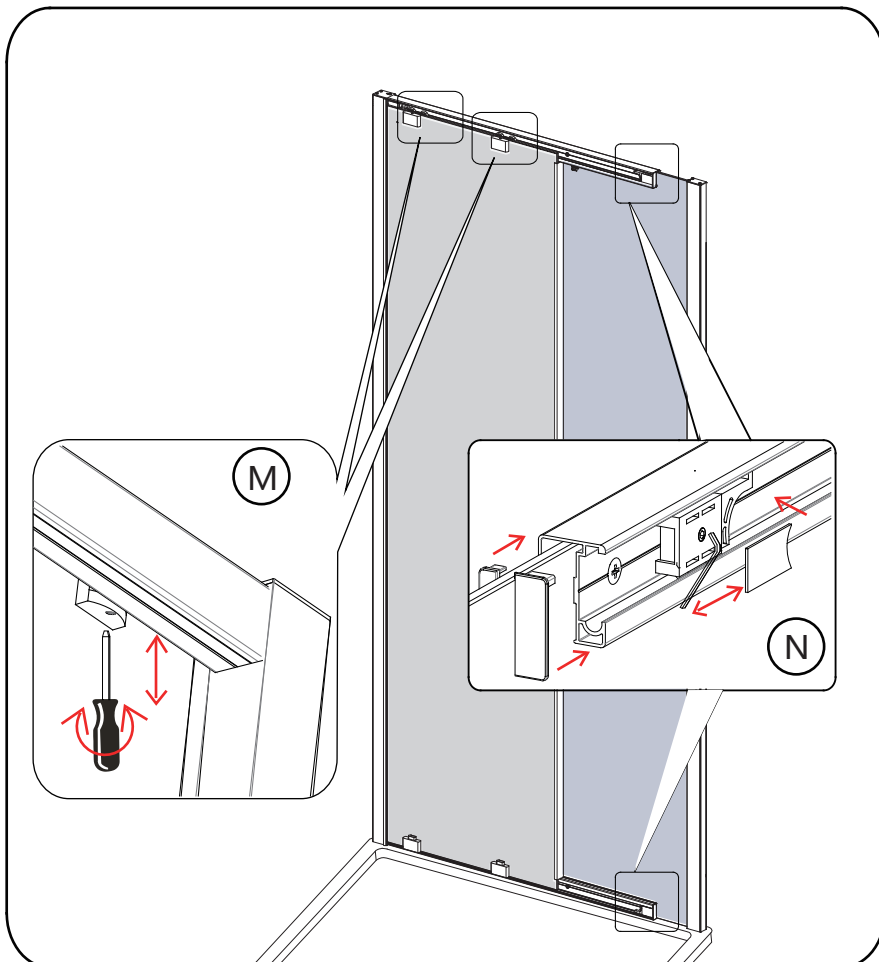
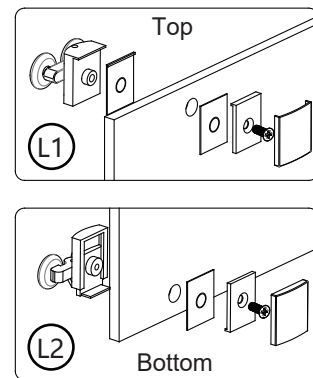


- Step 4.1 Ensure the glass holes on the rail profile line up with the holes on the fixed panel and glass fixing strip. Press the horizontal fixing seal (no.15) into the rail profiles to attach the fixed panel then secure the parts together using 4 screws M5 x14 (no.7). (Diagram G).
- Step 4.2 Insert the closing bubble seal (no.29) into the closing profile, then fix the top cap onto the closing profile using 2 screws M4x10(no.30). Fix the top cap together with the top rail using a screw ST 3.5x20 (no.23) (Diagram H)
- Step 4.3 Fix the wall profile top cap onto the wall profile using 3 screws ST 3.5x20(no.23) (Diagram I)
- Step 4.4 Press the vertical fixing seal (no.19) into the wall profile from bottom to top to secure the glass panel (Diagram J).

INSTALLATION INSTRUCTIONS



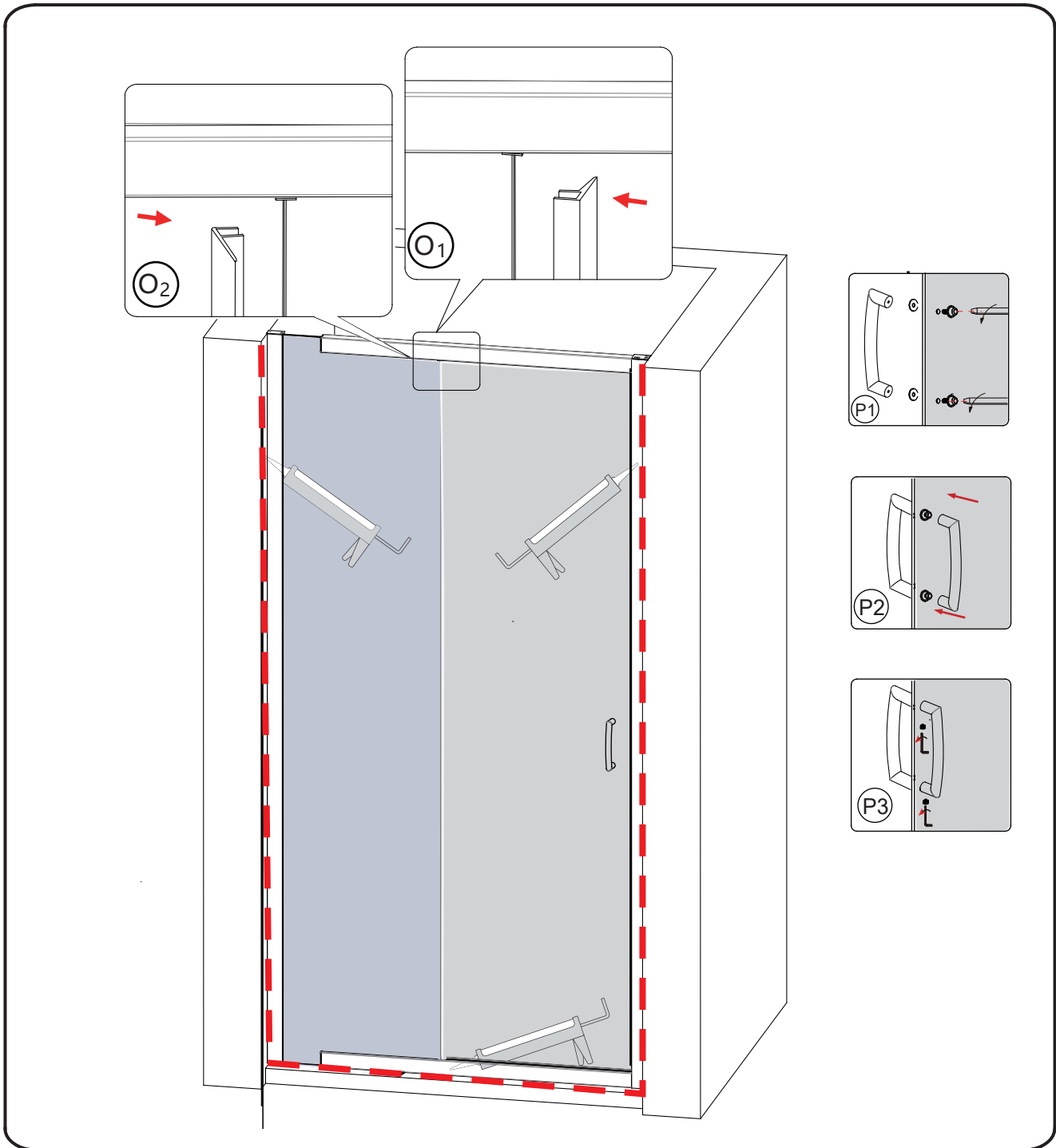
Step 5 Fit the top/bottom rollers (no.16/17) onto the door panel (Diagram L1/L2), ensure the easy clean side face the inside of the shower door. Carefully lift the door panel into the top rail profile then using the quick release mechanism on the bottom rollers guide them into the bottom rail profile. (Diagram K).



Step 6 Adjust the screw at the bottom of the top roller to raise or lower the door panel so it's 100% level with the fixed panel. Use the same technique if the wheels do not fit into the bottom rail. (Diagram M).

Step 7 Move the roller stoppers (no.24/25) to make it stay at the perfect position then secure them onto the rail profiles by using the allen wrench to tighten the grub screw on the roller stopper. Next fit the cover cap on. Fit the rail profile end caps (no.26/27) onto the top and bottom rail profile. (Diagram N).

INSTALLATION INSTRUCTIONS



Step 7 Fit the F fixed panel seal(no.20-1) onto the fixed panel(Diagram O1),fit the F moving glass seal(no.20-2) onto the moving glass. (Diagram O2)

Step 8 Fit the handle (no.18) onto the door panel.(Diagram P1/P2/P3).

24 HRS



DO NOT USE THE ENCLOSURE FOR 24 HOURS AFTER SEALING

Applying Silicone Sealant

Sealing Inside

Seal from the top of the wall profile to the bottom on the **INSIDE** between the wall profile and the wall.

IMPORTANT: Do not apply sealant on inside of the tray.

Sealing Outside

Seal from the top of the wall profile to the bottom between the wall profile and tiles on both sides. Also seal along the bottom where the frame meets the tray. Seal the joints between the bottom profile and any upright profiles.

AFTERCARE

IMPORTANT – Cleaning and Aftercare

You should never use any abrasive cleaning supplies on your glass shower door. Additionally, it is important to wipe down all the glass and metal parts with a soft cloth after every use to remove residual water.

Do not use abrasive cleaning products that contains harsh chemicals, bleach or ammonia etc. These products will damage the glass and will corrode the shower door's frame and metallic parts over time.

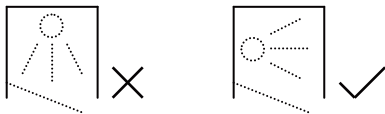
Do not clean any seals with strong cleaning chemicals. Using abrasives cleaners will damage seals and can then cause them to leak. Protect the seals by only cleaning them with a mild soap and warm water after use and to prevent any build-up of chemicals and limescale.

We do highly recommend that moving parts and hinges, are checked regularly to ensure they are clean, correctly positioned and operating smoothly.

Caring for your shower door properly will ensure it lasts a long time, remember to only use warm soapy water and a soft cloth and to wipe away any soap scum etc to avoid any corrosion.

Usage

For reliable, watertight performance from the enclosure your shower head should not be positioned so that the shower sprays directly onto the enclosure door. Failure to comply with this may cause the shower to leak. Outward opening doors may cause water to drip onto the floor, please ensure that the floor covering immediately outside the enclosure will not be affected by water.



This product has been applied with an easy clean glass treatment, a protective barrier which creates a 'non-stick' surface on your glass, helping to resist lime scale build up and water spots.

Formula Bathrooms

Unit 23, Pant Industrial Estate, Dowlais, Merthyr Tydfil, CF48 2SR.

For sales/aftersales queries, please visit our website:

www.formulabathrooms.co.uk

or Sales Tel: 01685 358600, Aftersales: aftersales@formulabathrooms.co.uk

